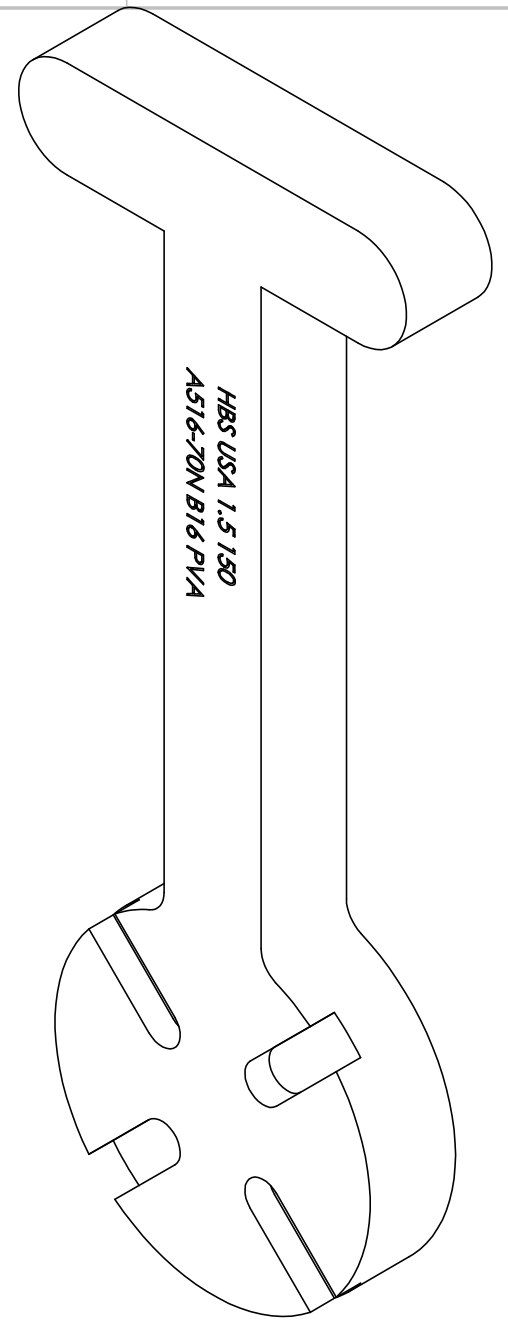
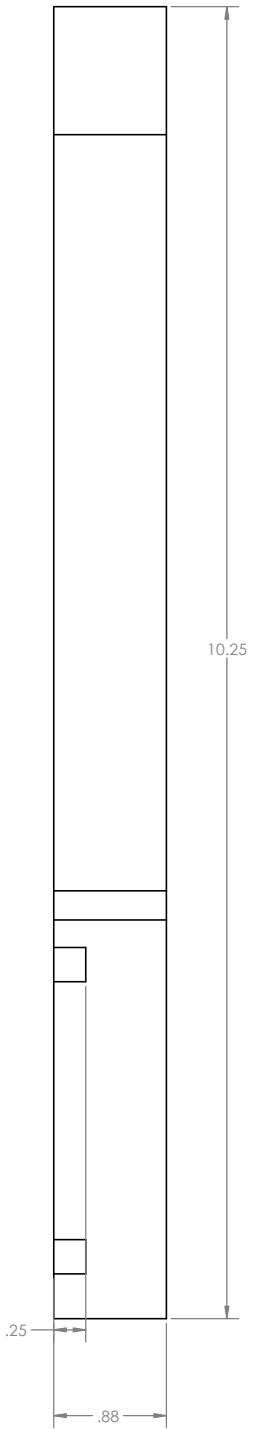
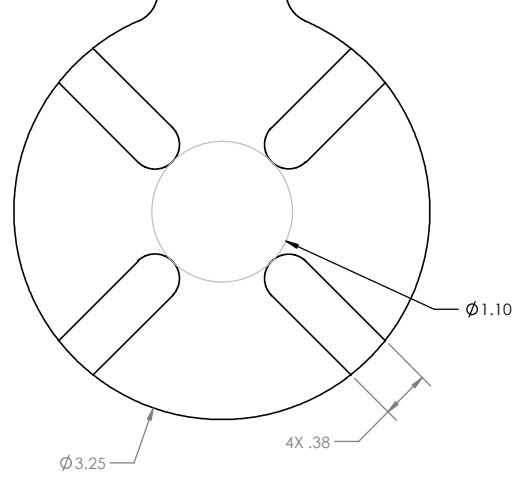


HBS USA 1.5 150  
A516-70N B16 PVA



HBS USA 1.5 150  
A516-70N B16 PVA

|                                 |                          |   |           |  |
|---------------------------------|--------------------------|---|-----------|--|
| DO NOT SCALE PRINT              |                          | UNLESS OTHERWISE SPECIFIED:<br>OUTSIDE DIAMETER: (+/-0.12)<br>INSIDE DIAMETER: (+/-0.12)<br>THICKNESS TOLERANCES (-ZERO +0.12)<br>ALL UNITS IN INCHES OR POUNDS |           |  |
|                                 |                          | SHEET 1 OF 1  |           |  |
| MATERIAL:<br>CUSTOMER REQUESTED |                          | DATE:<br>08/04/2020   |           | DRAWING TITLE:<br>1-1/2 CL 150 PURGE<br>PADDLE BLIND |
| SCALE<br>1:0.75                 |                          | DIMENSIONS & TOLERANCES<br>TO BE IN ACCORDANCE WITH<br>ASME B16.48  |           |  |
| SIZE<br><b>C</b>                | DRAWING NUMBER:<br>1PPBJ | WEIGHT<br>5 lb  | REV<br>00 |  |